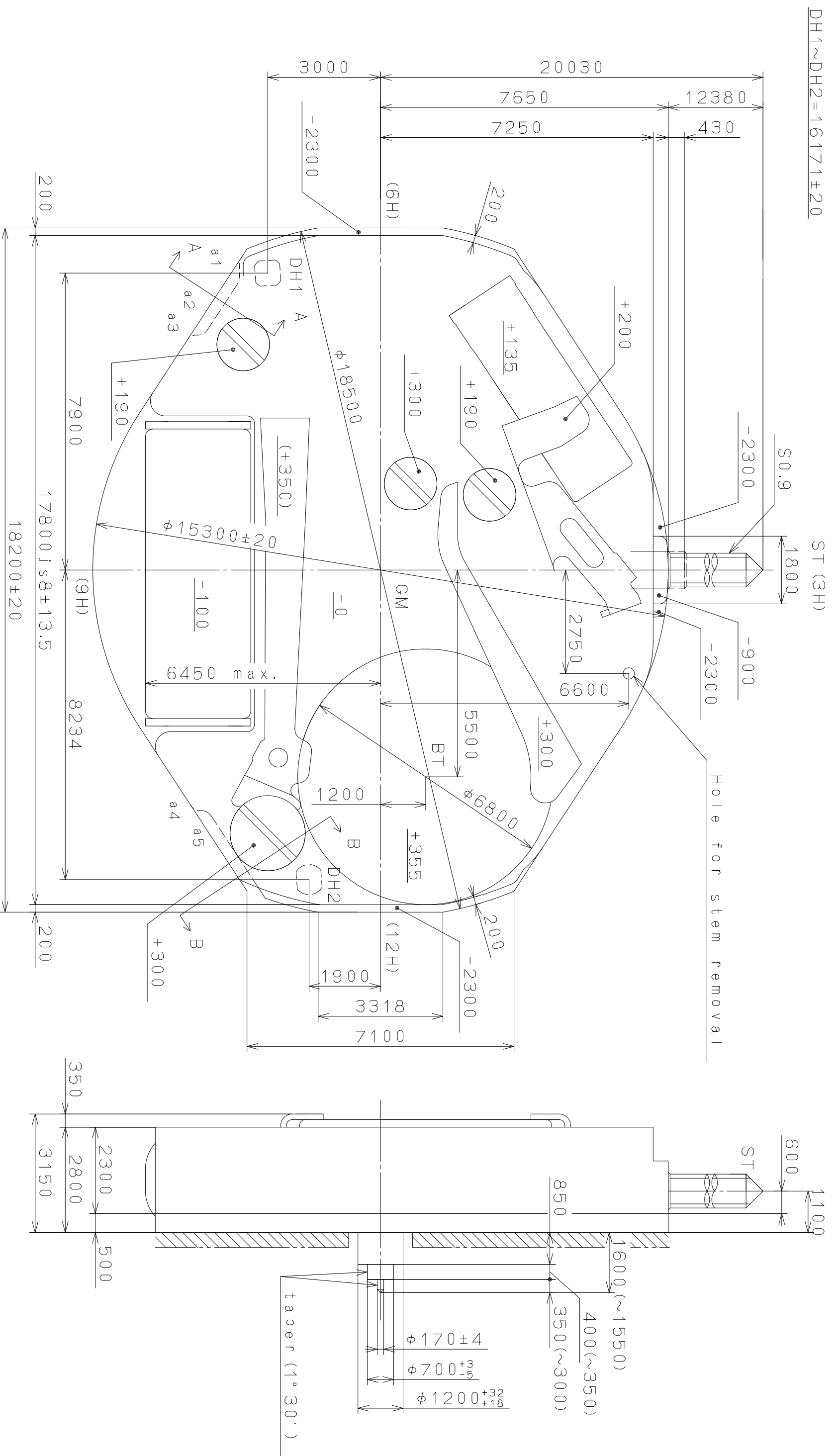


This drawing is provisional and subject to our reconfirmation and/or revision without notice.

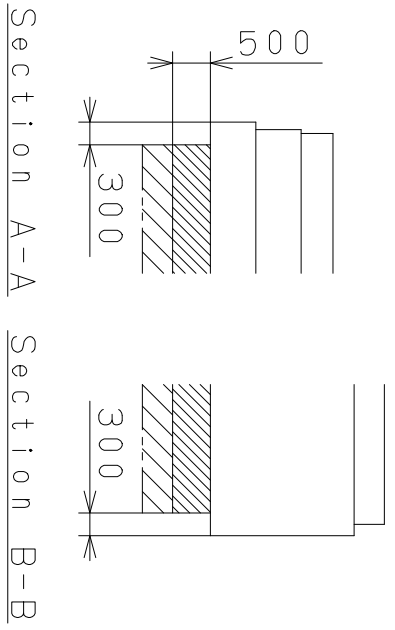


DH1~DH2=16171±20

ST (3H)

Coordinates

Mark	X	Y	R
GM	0	0	—
a1	-7838	-4250	500
a2	-6550	-4855	300
a3	-5951	-4888	300
a4	6101	-4790	300
a5	6700	-4756	300



Mark	Date	Description	Appr.	Checked	Drawn
△5					
△4					
△3					
△2					
△1					

Material	Alterations	Quantity	Unit	Cal. NO.:
Material			1/1000 mm	2035
Heat Treatment			Scale	10:1
Hardness			Date	
Plating			Drawn	

Material	General Tolerances	Dimensions	Angles
Material			
Heat Treatment			
Hardness			
Plating			

MIYOTA
CITIZEN WATCH CO., LTD. TOKYO, JAPAN

Name: Frame for Case
Drawing No.: 203500C0

Name: D. Yamada

Parts No.:

Cal. NO.: 2035

Unit: 1/1000 mm

Scale: 10:1

Date:

Drawn:

Checked:

Appr.:

Alterations:

Material:

Heat Treatment:

Hardness:

Plating:

Quantity:

Unit:

Cal. NO.:

Scale:

Date:

Drawn:

Checked:

Appr.:

Alterations:

Material:

Heat Treatment:

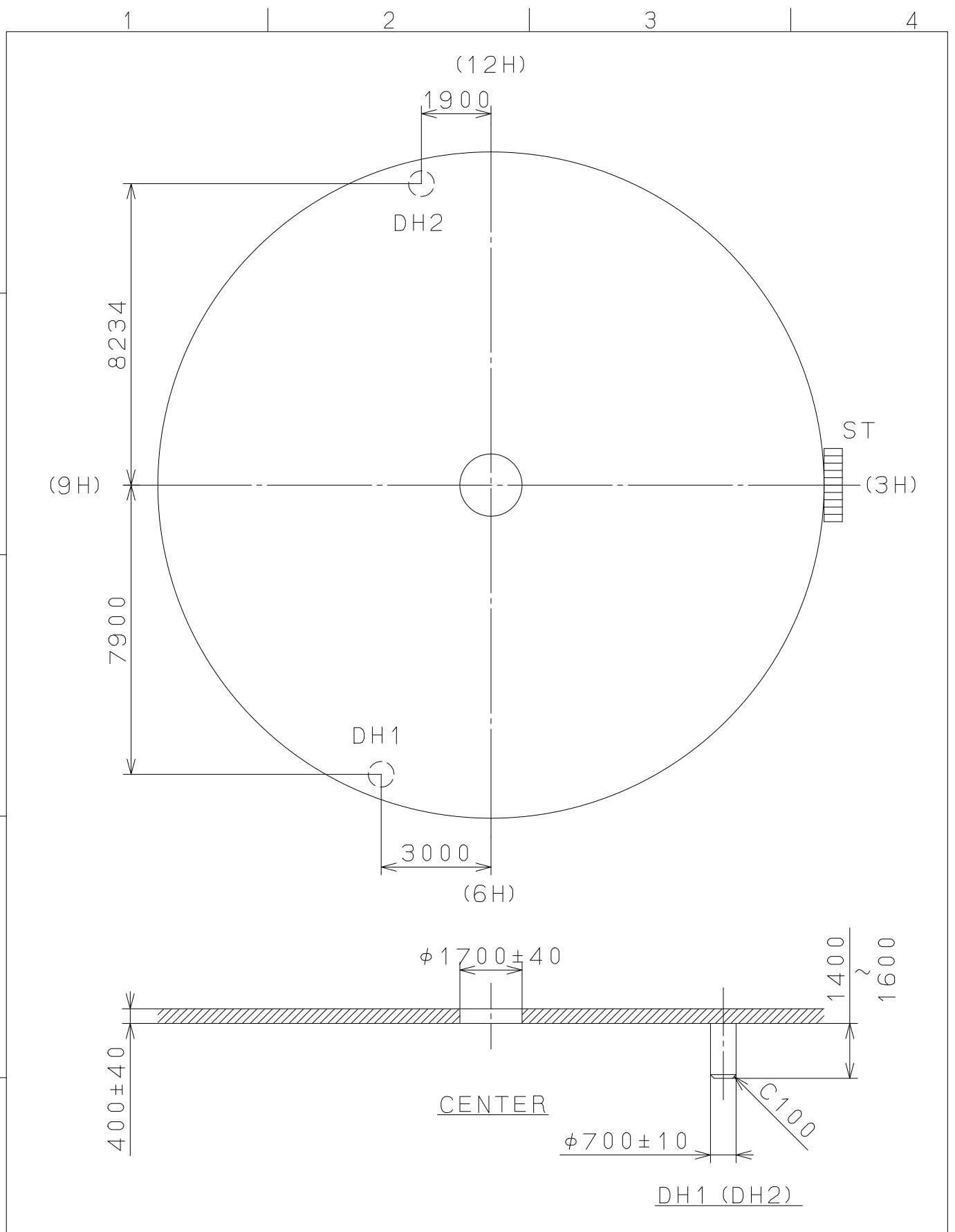
Hardness:

Plating:

Quantity:

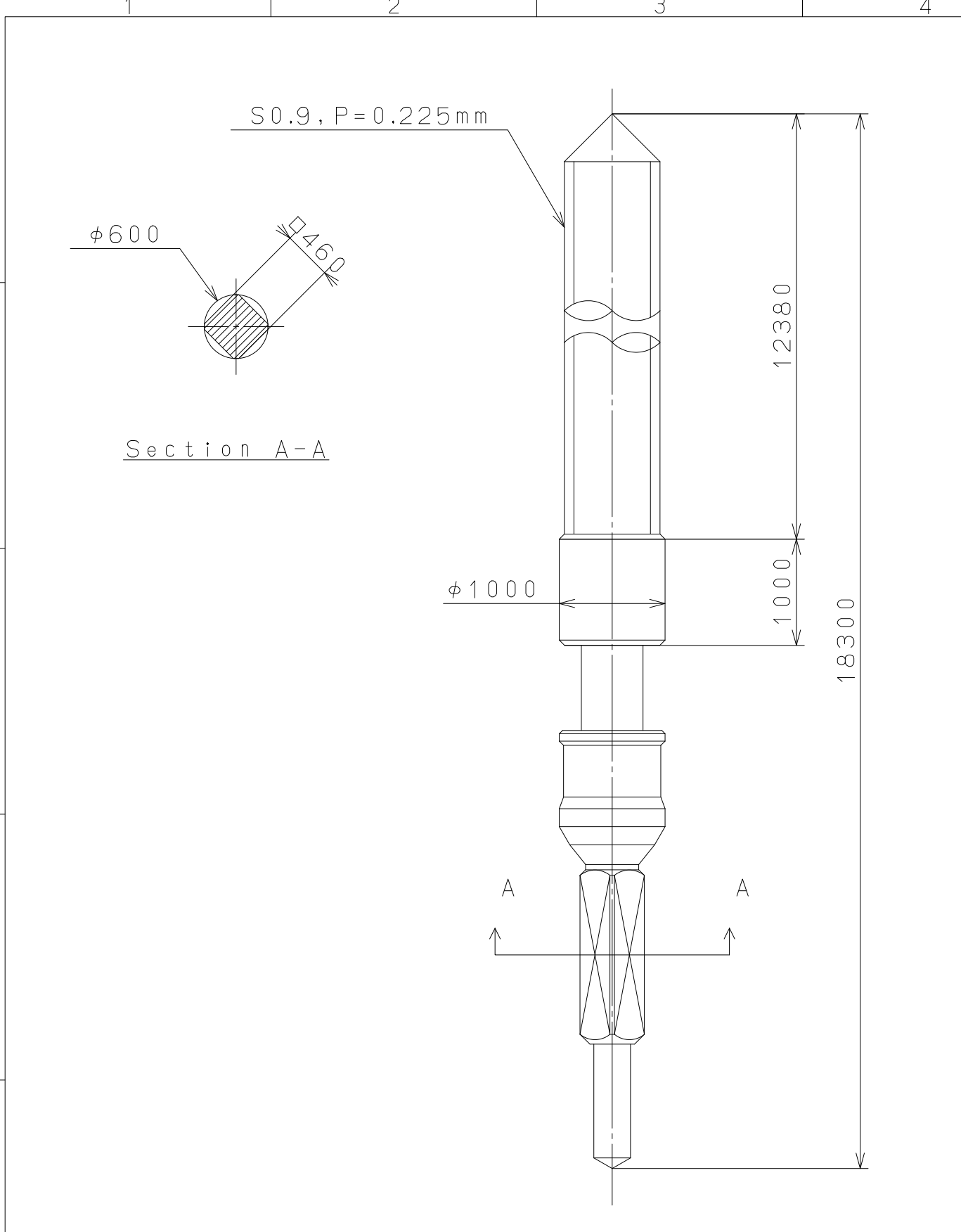
Unit:

This drawing is provisional and subject to our reconfirmation and/or revision without notice.



△			Quantity		Cal.NO.:
△			Unit	1 / 1000 mm	2035-10A
△			Scale	7 : 1	Parts No.:
△			Date		
△			Drawn		
Mark	Date	Description	Appr.	Checked	Name:
		Alterations	Approved	D. Yamada	Indications for Dial
Material					Drawing No.: 203500D0
Heat Treatment			General Tolerances		MIYOTA
Hardness			Dimensions		
Plating			Angles		
					CITIZEN WATCH CO., LTD. TOKYO, JAPAN

This drawing is provisional and subject to our reconfirmation and/or revision without notice.



⑤			Quantity		Cal.NO.:
④			Unit	1 / 1000 mm	
③			Scale	20 : 1	Parts No.:
②			Date		065-299
①			Drawn		
Mark	Date	Description	Appro.	Checked	D. Yamada
Alterations			Approved	Name:	
			SETTING STEM		
Material					Drawing No.: 299000S0
Heat Treatment					MIYOTA CITIZEN WATCH CO., LTD. TOKYO, JAPAN
Hardness					
Plating					